

# PL Instrukcja montażu

GB Installation instructions

DE Montageanleitung

FR Instructions de montage

CZ Montážní návod

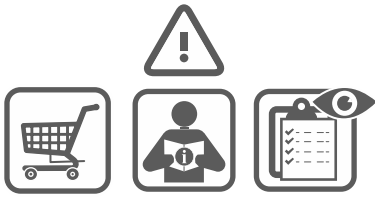
SK Návod na montáž

HU Szerelési utasítások

RO Instrucțiuni de instalare

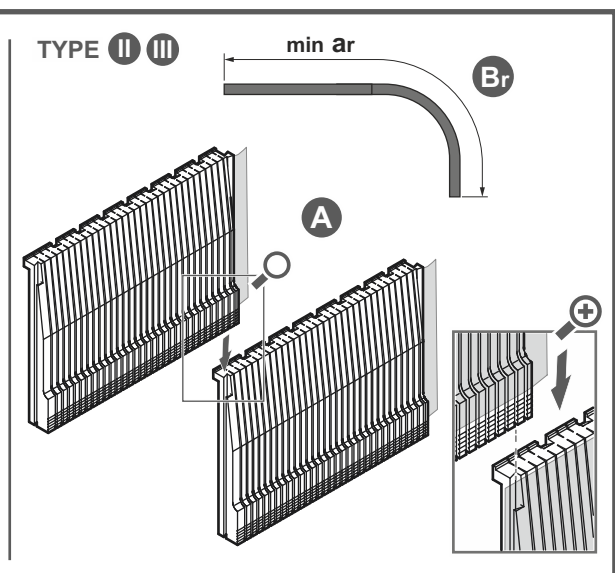
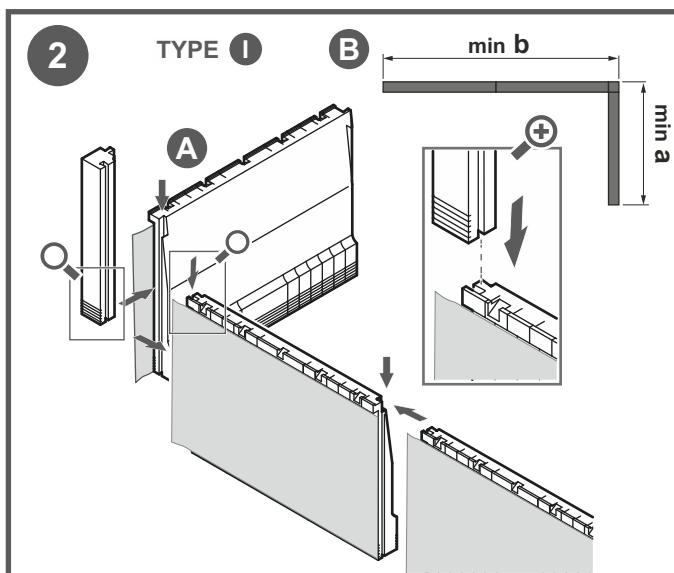
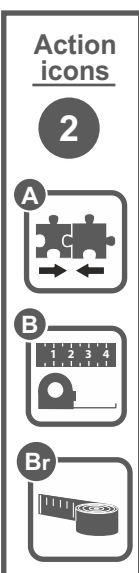
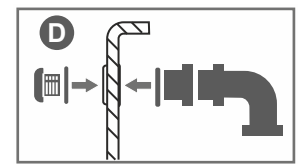
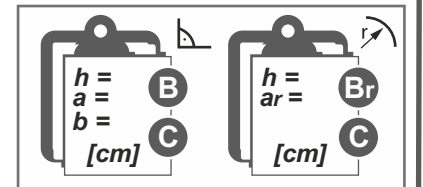
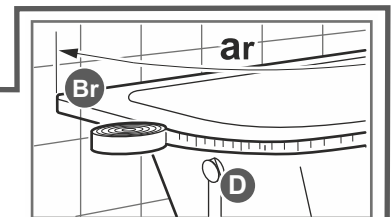
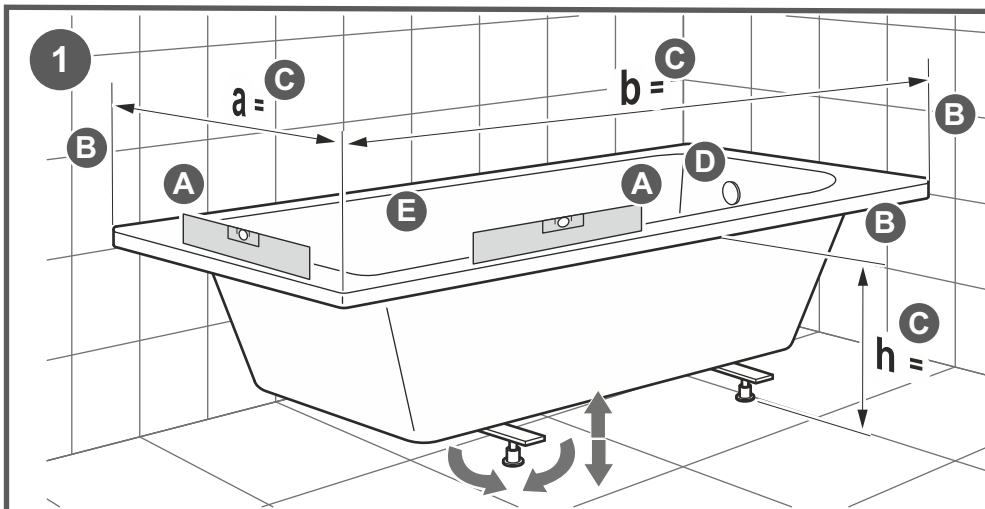
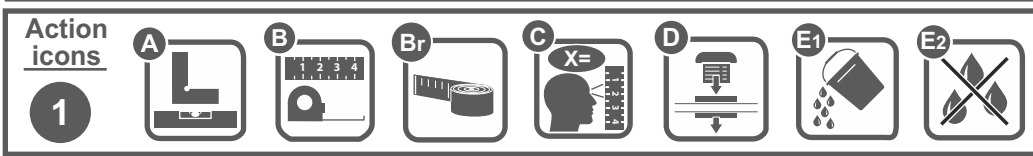
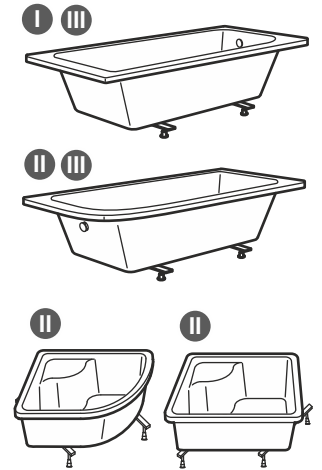
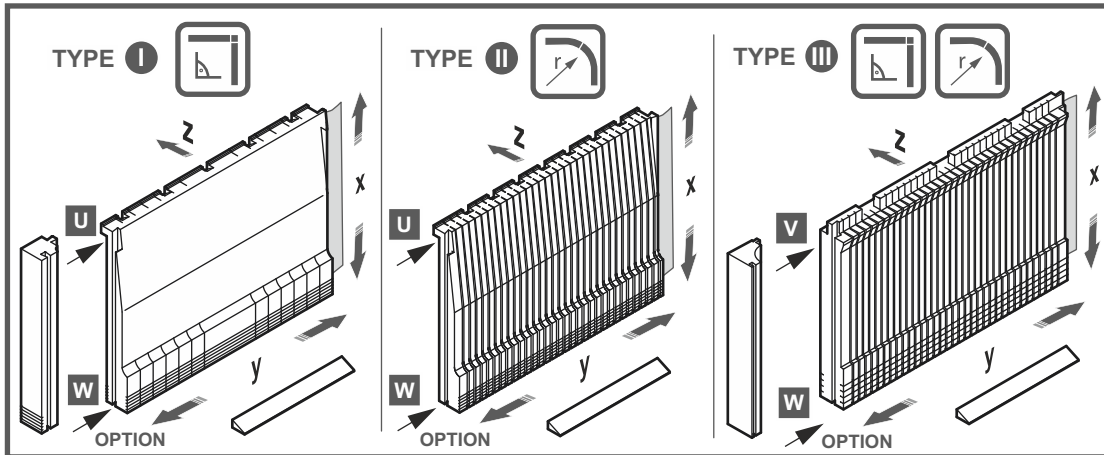
RU Инструкция по сборке

v25.10.2019



	x	y	z	V	U
I	58 cm	80 cm	0		
II	58/36 cm	120/80 cm	0		
III	58 cm	80 cm	13,5 cm		

OPTION	axb LED/FEET	W
I	8/10/12 x 5 cm	
II	8/10/12 x 5 cm	
III	8/10/12 x 5 cm	



**Action icons**

**3**

- A: Ruler
- Ar: Tape
- B: Pencil
- C: Utility knife
- D: Marker
- E2: PU GLUE

**3**

**TYPE II III**

Ar

ar-1 cm

B

h-1 cm

$h =$   
 $ar =$   
[cm]

**TYPE I III**

A a-1 cm

b-1 cm

A

B

h-1 cm

$h =$   
 $a =$   
 $b =$   
[cm]

**OPTION LED/FEET**

W

D

5-12 cm

5 cm

**TYPE II III**

E

**Action icons**

**4**

- A: 50kg weight
- E: PU GLUE
- B: L-shaped weight
- F: 12h drying time
- C: Pushing up
- G1: Utility knife
- D: Vacuuming
- G2: Marker

**4**

F

A

B

C

E

D

G

20 cm

**TYPE III**

C

E

G

**OPTION-REMOVE**

G

**Action icons**

**5**

- A: 50kg weight
- E: 12h drying time
- B: Vacuuming
- F1: Water
- C: 12h drying time
- F2: 12h drying time
- D: Silicone
- G: Marker

**5**

C

A

D

F

Z

D

B

D

W

**TYPE II III**

**TYPE I III**

A

F

D

D

D

**OPTION-LED**

**OPTION-FEET**

**OPTION-REMOVE**

G

G

G

W

Z

X

~0,5 cm

~0,5 cm

~0,5 cm

~1-1,5 cm